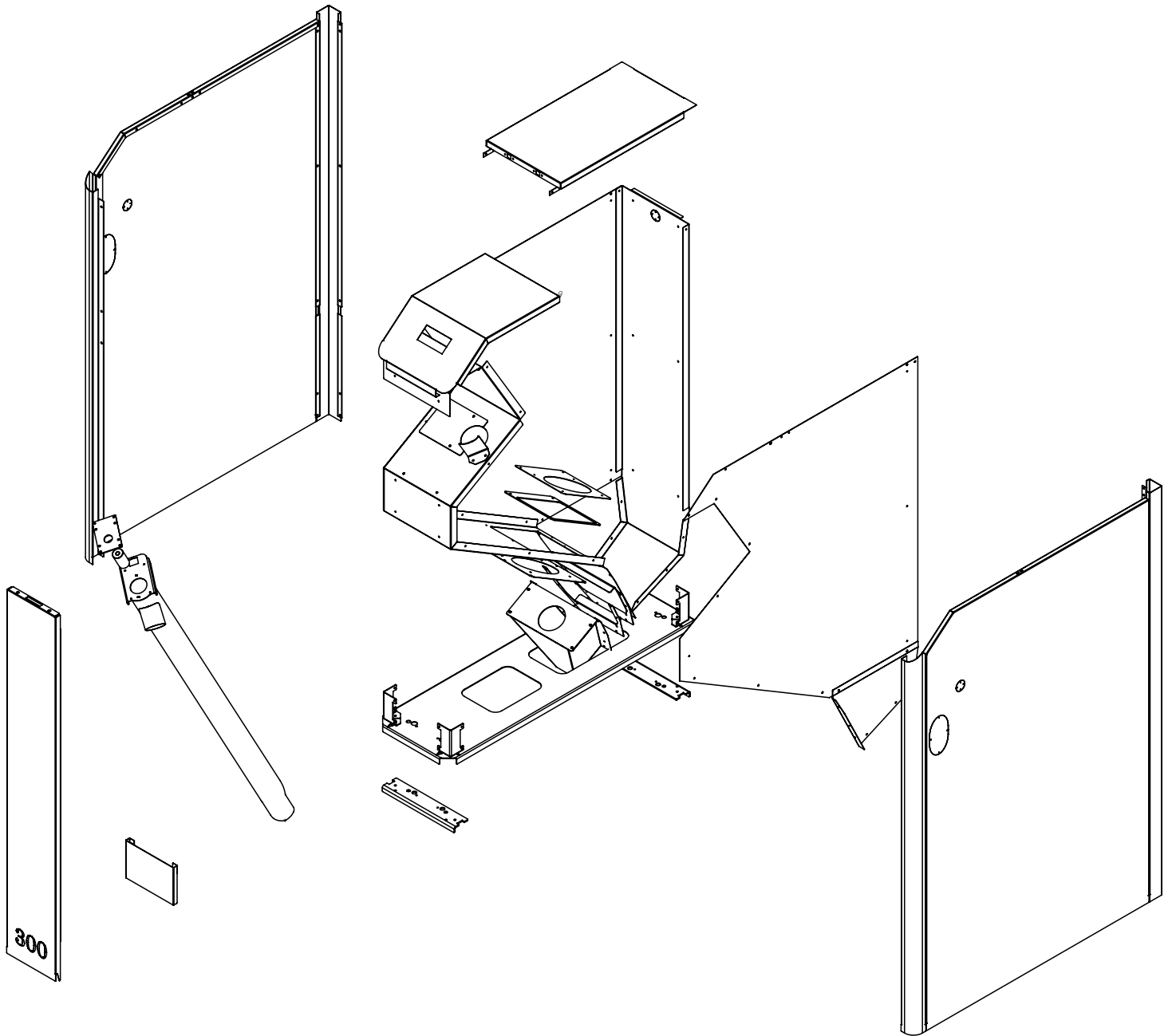


DATASHEET:

RTB HOPPER 300

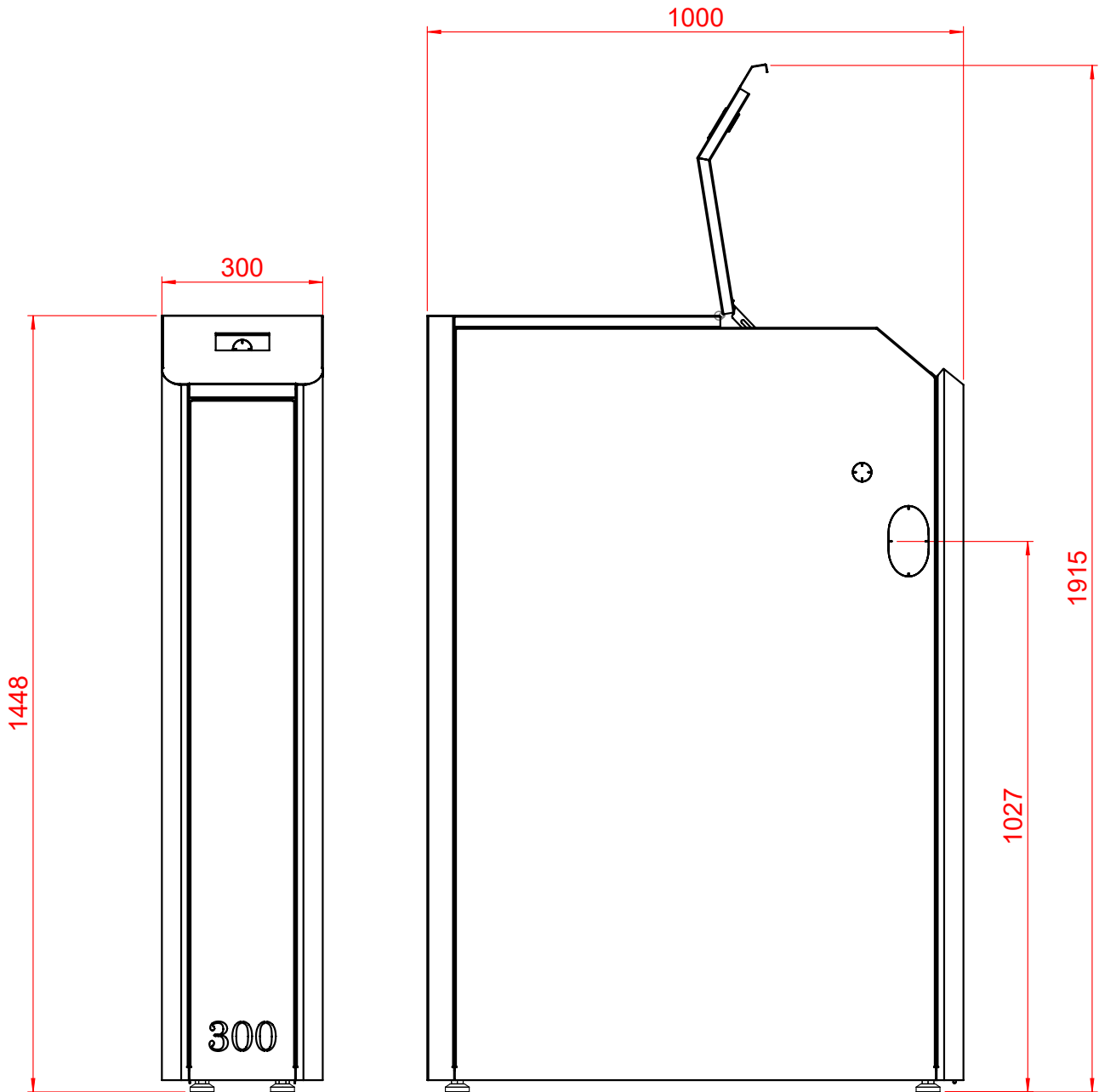
PHOENIX





DATASHEET: RTB HOPPER 300 PHOENIX

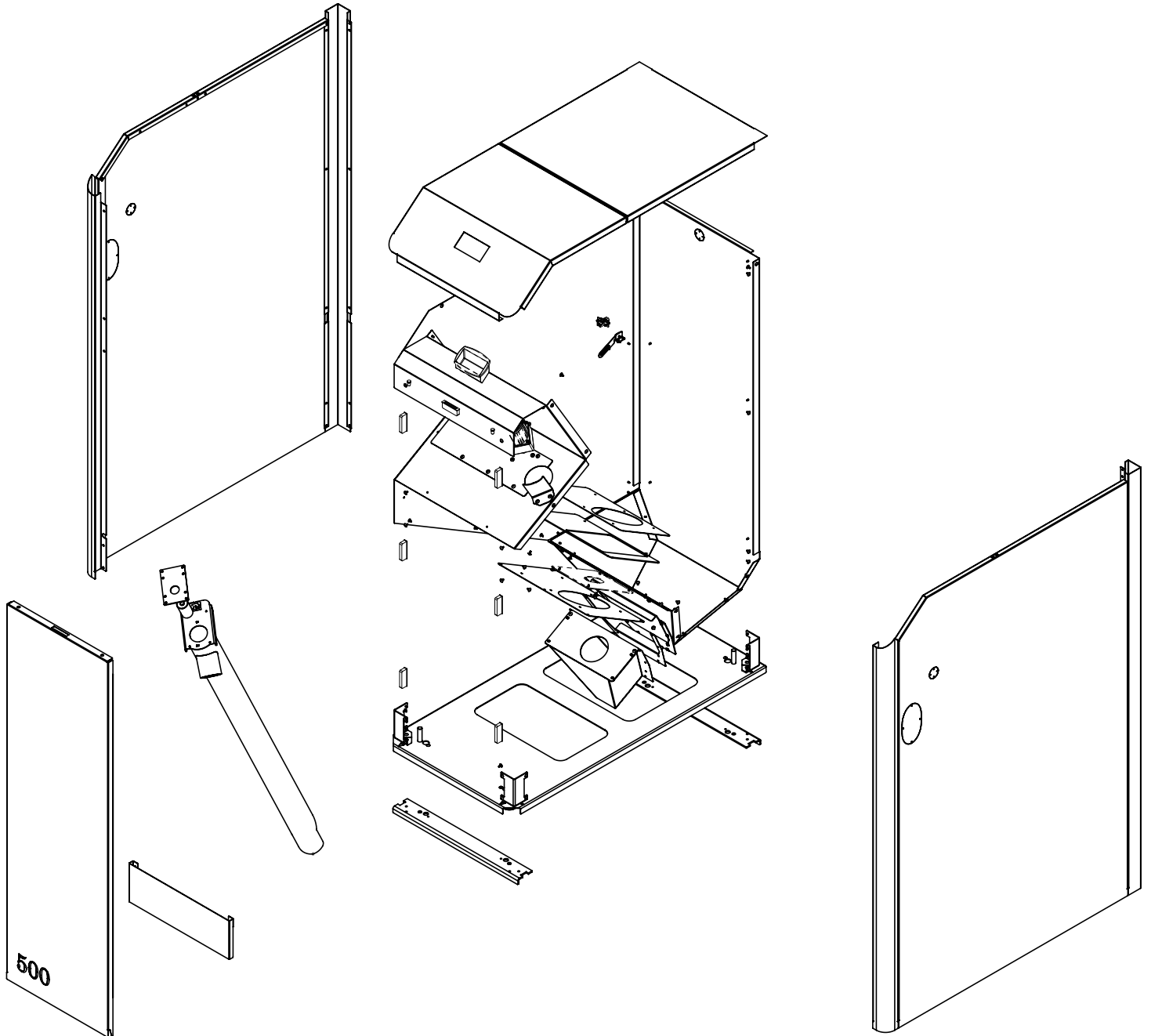
Product Name	RTB Phoenix Hopper 300
SKU	901120
Compatible w/	RTB 10 Phoenix RTB 16 Phoenix RTB 30 Phoenix
Estimated Capacity (kgs)	130
Capacity (l)	200
Width (mm)	300
Depth (mm)	1000
Height (mm)	1448
Height w/ lid open (mm)	1915
Weight (kgs)	76



DATASHEET:

RTB HOPPER 500

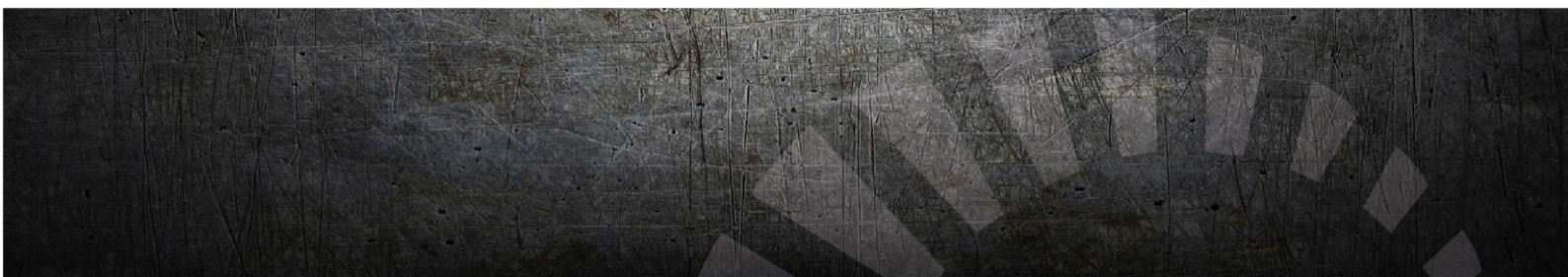
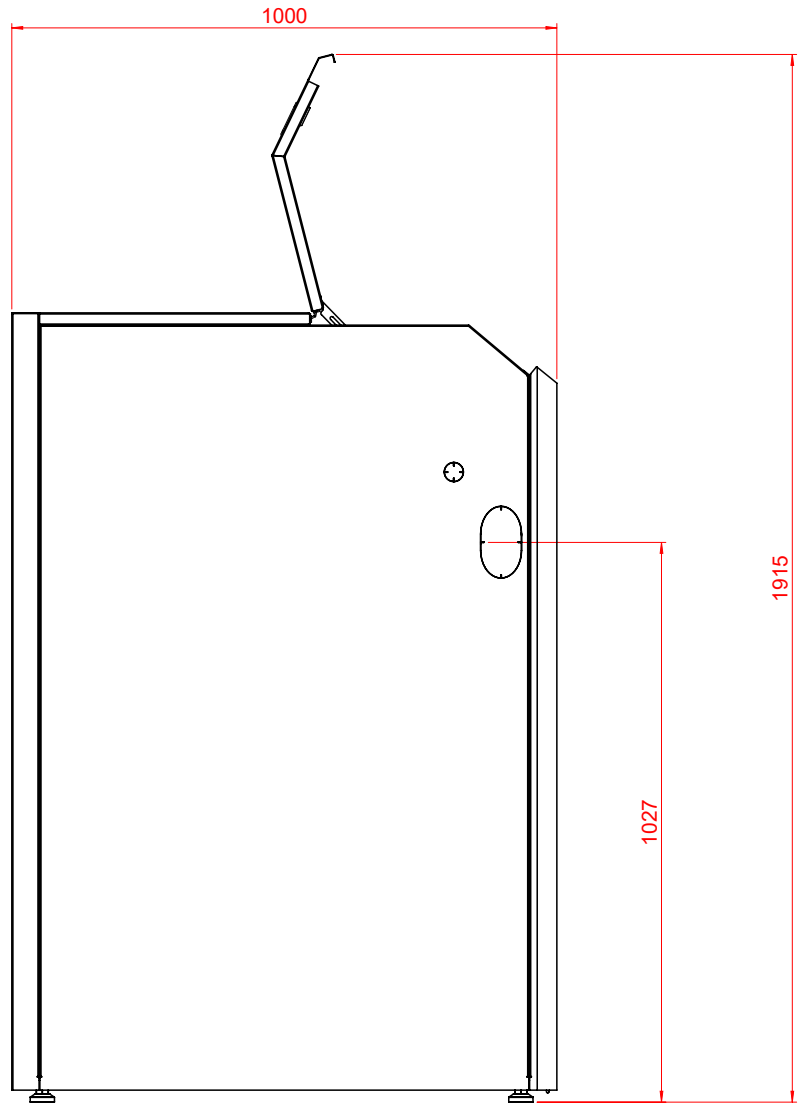
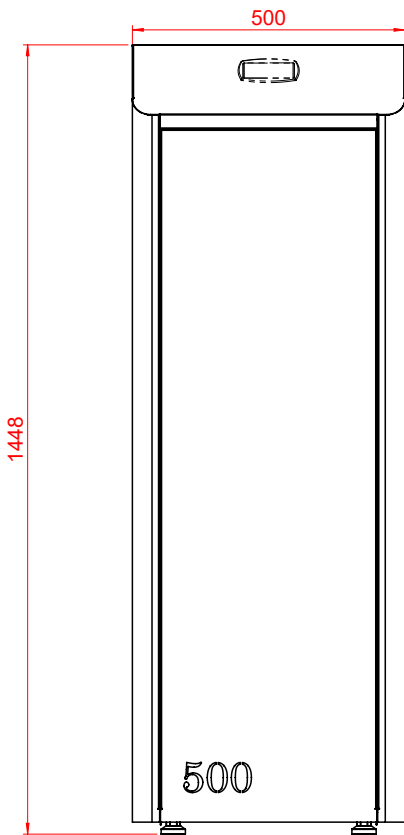
PHOENIX





DATASHEET: RTB HOPPER 500 PHOENIX

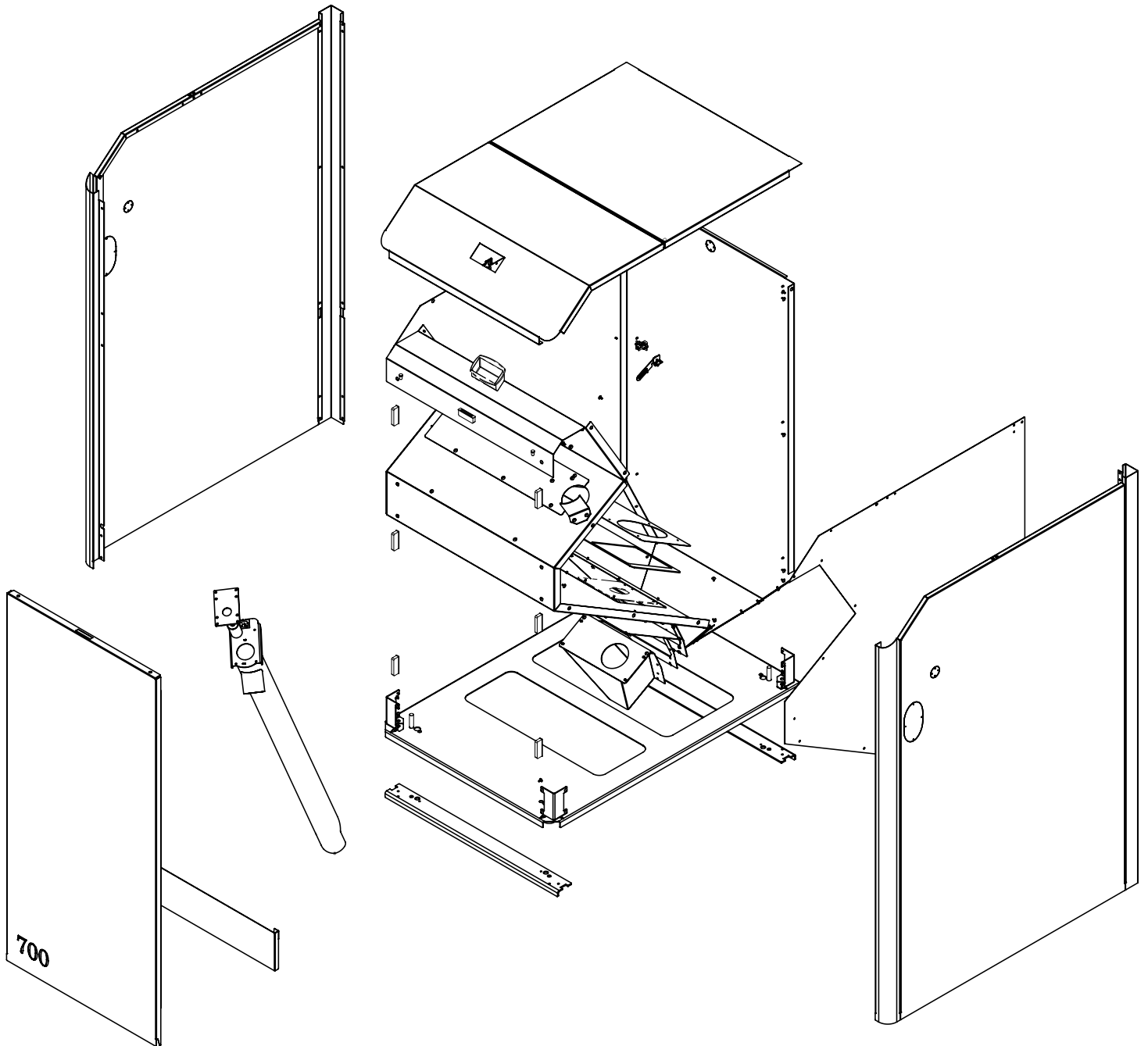
Product Name	RTB Phoenix Hopper 500
SKU	901220
Compatible w/	RTB 10 Phoenix RTB 16 Phoenix RTB 30 Phoenix
Estimated Capacity (kgs)	230
Capacity (l)	350
Width (mm)	500
Depth (mm)	1000
Height (mm)	1448
Height w/ lid open (mm)	1915
Weight (kgs)	89



DATASHEET:

RTB HOPPER 700

PHOENIX





DATASHEET: RTB HOPPER 700 PHOENIX

Product Name	RTB Phoenix Hopper 700
SKU	901320
Compatible w/	RTB 10 Phoenix RTB 16 Phoenix RTB 30 Phoenix
Estimated Capacity (kgs)	330
Capacity (l)	500
Width (mm)	700
Depth (mm)	1000
Height (mm)	1448
Height w/ lid open (mm)	1915
Weight (kgs)	102

