





SG-75

SOLID FUEL
COOKERS

BASIC

COLORS



INOX
MAT

PC-2

PC-3

PC-7

A

L/D

Nominal heat output

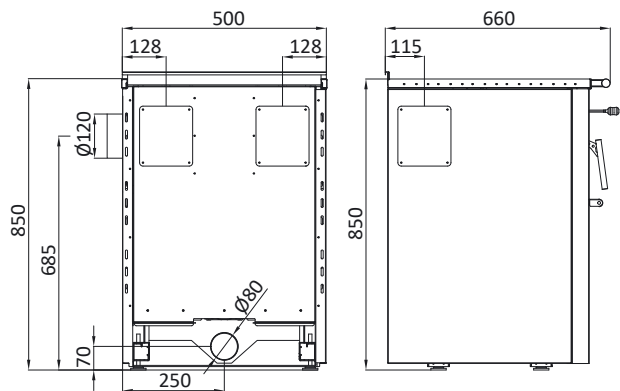
7 kW

Dimensions (W x D x H)

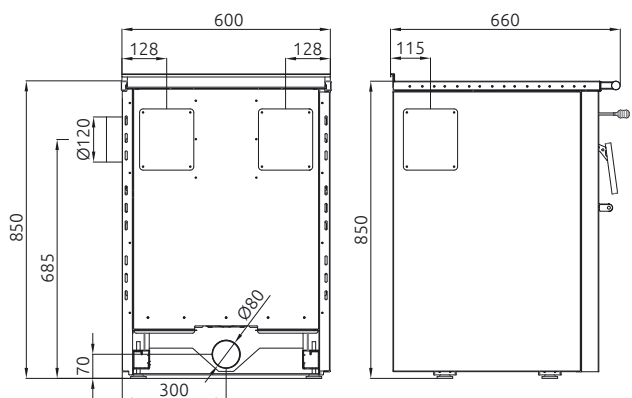
75×65×85/92 cm

Flue gases exhaust

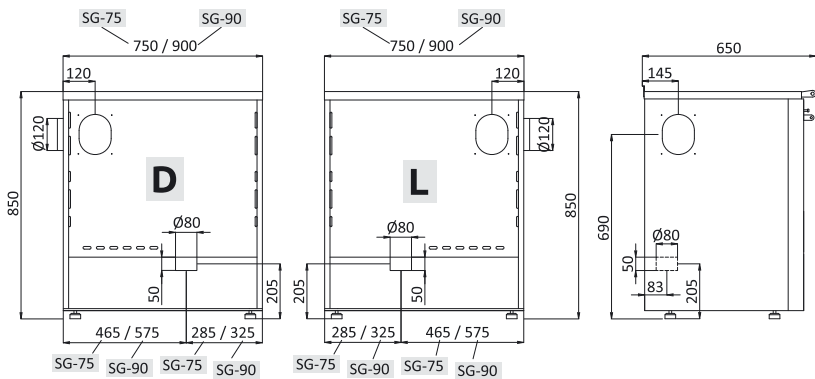
Ø 120 mm



SG-50



SG-60



SG-75

SG-90

COOKERS ◆ ◆ ◆



CENTRAL HEATING COOKERS

Parameter	Unit	C-20	C-20 PREMIUM	C-30
Nominal heat output	kW	15 - 25	15 - 25	20 - 35
Boiler	kW	5,9 - 20	5,9 - 20	12,0 - 21
Room	kW	9,1 - 5	9,1 - 5	8,0 - 14
Amount of water in boiler	L	20	20	28
Weight	kg	160	184	200
Cooking plate (WxD)	mm	457x 437	457x 437	567 x 455
Oven dimensions (WxDxH)	mm	-	-	-
Primary air intake	mm	Ø 130	Ø 130	Ø 150
Connection for primary air	mm	Ø 120	Ø 120	Ø 120
Required flue draught	Pa	12	12	15
Efficiency	%	82,17 - 75	82,17 - 75	83,32 - 74
Air regulation	primary	auto	auto	auto
	secondary	manual	manual	manual
Boiler protection		prepared for boiler overheating thermal protection		
Firebox grate - movable		mechanism	mechanism	mechanism
Hight of stove	mm	850 - 920	850 - 920	850 - 920
Firebox door		fireproof glass		
Energy efficiency class		A+	A+	A+



SOLID FUEL COOKERS

Parameter	Unit	SG-50	SG-60	SG-60 PREMIUM
Nominal heat output	kW	6	6,5	6,5
Room	kW	6	6,5	6,5
Weight	kg	133	151	158
Cooking plate (WxD)	mm	390 x 440	460 x 438	460 x 438
Oven dimensions (WxDxH)	mm	260 x 450 x 200	360 x 450 x 260	360 x 450 x 260
Primary air intake	mm	Ø 120	Ø 120	Ø 120
Connection for primary air	mm	Ø 80	Ø 80	Ø 80
Required flue draught	Pa	13	13	13
Efficiency	%	79,3	81,7	81,7
Air regulation	primary	manual	manual	manual
	secondary	manual	manual	manual
Firebox grate - movable		-	-	-
Hight of stove	mm	850 - 920	850 - 920	850 - 920
Firebox door		fireproof glass		
Energy efficiency class		A	A+	A+



C-25	C-35	C-25 PREMIUM	C-35 PREMIUM
16,8 - 25	23 - 35	16,8 - 25	23 - 35
4,3 - 18	8 - 21	4,3 - 18	8 - 21
12,5 - 7	15 - 14	12,5 - 7	15 - 14
20	28	20	28
235	270	260	300
860 x 440	860 x 567	860 x 440	860 x 567
360 x 460 x 260	360 x 600 x 260	400 x 600 x 360	400 x 600 x 360
Ø 130	Ø 150	Ø 130	Ø 150
Ø 120	Ø 120	Ø 120	Ø 120
12	15	16	16
81,02 x 75	82,68 - 80	81,02 - 75	82,68 - 80
auto	auto	auto	auto
manual	manual	manual	manual
prepared for boiler overheating thermal protection			
mechanism	mechanism	mechanism	mechanism
850 - 920	850 - 920	850 - 920	850 - 920
fireproof glass			
A+	A+	A+	A+



SG-75	SG-90
7	7
7	7
151	170
640 x 480	787 x 480
330 x 440 x 270	400 x 440 x 230
Ø 120	Ø 120
Ø 80	Ø 80
12	12
81,5	82,3
manual	manual
manual	manual
movable	movable
850 - 920	850 - 920
fireproof glass	
A+	A+

