

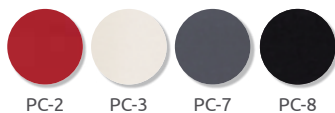




SG-60 PREMIUM

SOLID FUEL
COOKERS

COLORS



PC-2

PC-3

PC-7

PC-8



BASIC

COLORS



INOX
MAT

PC-2

PC-3

PC-7

A

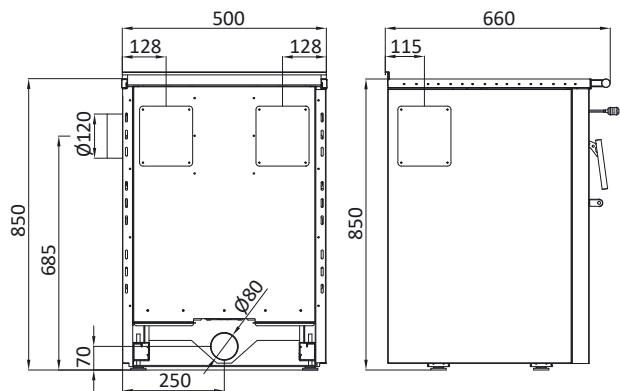
L/D

Nominal heat output
Dimensions (W x D x H)
Flue gases exhaust

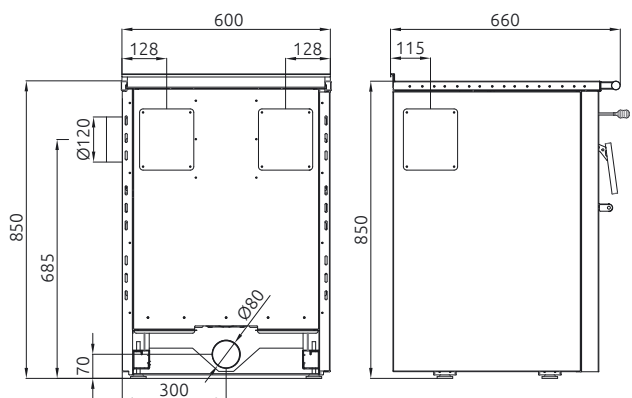
6,5 kW
60×65×85/92 cm
Ø 120 mm

SG-60

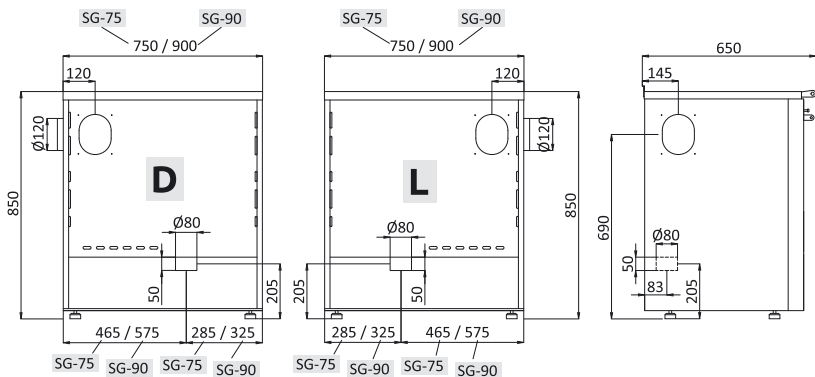
SOLID FUEL
COOKERS



SG-50



SG-60



SG-75

SG-90

COOKERS ◆ ◆ ◆



CENTRAL HEATING COOKERS

Parameter	Unit	C-20	C-20 PREMIUM	C-30
Nominal heat output	kW	15 - 25	15 - 25	20 - 35
Boiler	kW	5,9 - 20	5,9 - 20	12,0 - 21
Room	kW	9,1 - 5	9,1 - 5	8,0 - 14
Amount of water in boiler	L	20	20	28
Weight	kg	160	184	200
Cooking plate (WxD)	mm	457x 437	457x 437	567 x 455
Oven dimensions (WxDxH)	mm	-	-	-
Primary air intake	mm	Ø 130	Ø 130	Ø 150
Connection for primary air	mm	Ø 120	Ø 120	Ø 120
Required flue draught	Pa	12	12	15
Efficiency	%	82,17 - 75	82,17 - 75	83,32 - 74
Air regulation	primary	auto	auto	auto
	secondary	manual	manual	manual
Boiler protection		prepared for boiler overheating thermal protection		
Firebox grate - movable		mechanism	mechanism	mechanism
Hight of stove	mm	850 - 920	850 - 920	850 - 920
Firebox door		fireproof glass		
Energy efficiency class		A+	A+	A+



SOLID FUEL COOKERS

Parameter	Unit	SG-50	SG-60	SG-60 PREMIUM
Nominal heat output	kW	6	6,5	6,5
Room	kW	6	6,5	6,5
Weight	kg	133	151	158
Cooking plate (WxD)	mm	390 x 440	460 x 438	460 x 438
Oven dimensions (WxDxH)	mm	260 x 450 x 200	360 x 450 x 260	360 x 450 x 260
Primary air intake	mm	Ø 120	Ø 120	Ø 120
Connection for primary air	mm	Ø 80	Ø 80	Ø 80
Required flue draught	Pa	13	13	13
Efficiency	%	79,3	81,7	81,7
Air regulation	primary	manual	manual	manual
	secondary	manual	manual	manual
Firebox grate - movable		-	-	-
Hight of stove	mm	850 - 920	850 - 920	850 - 920
Firebox door		fireproof glass		
Energy efficiency class		A	A+	A+